

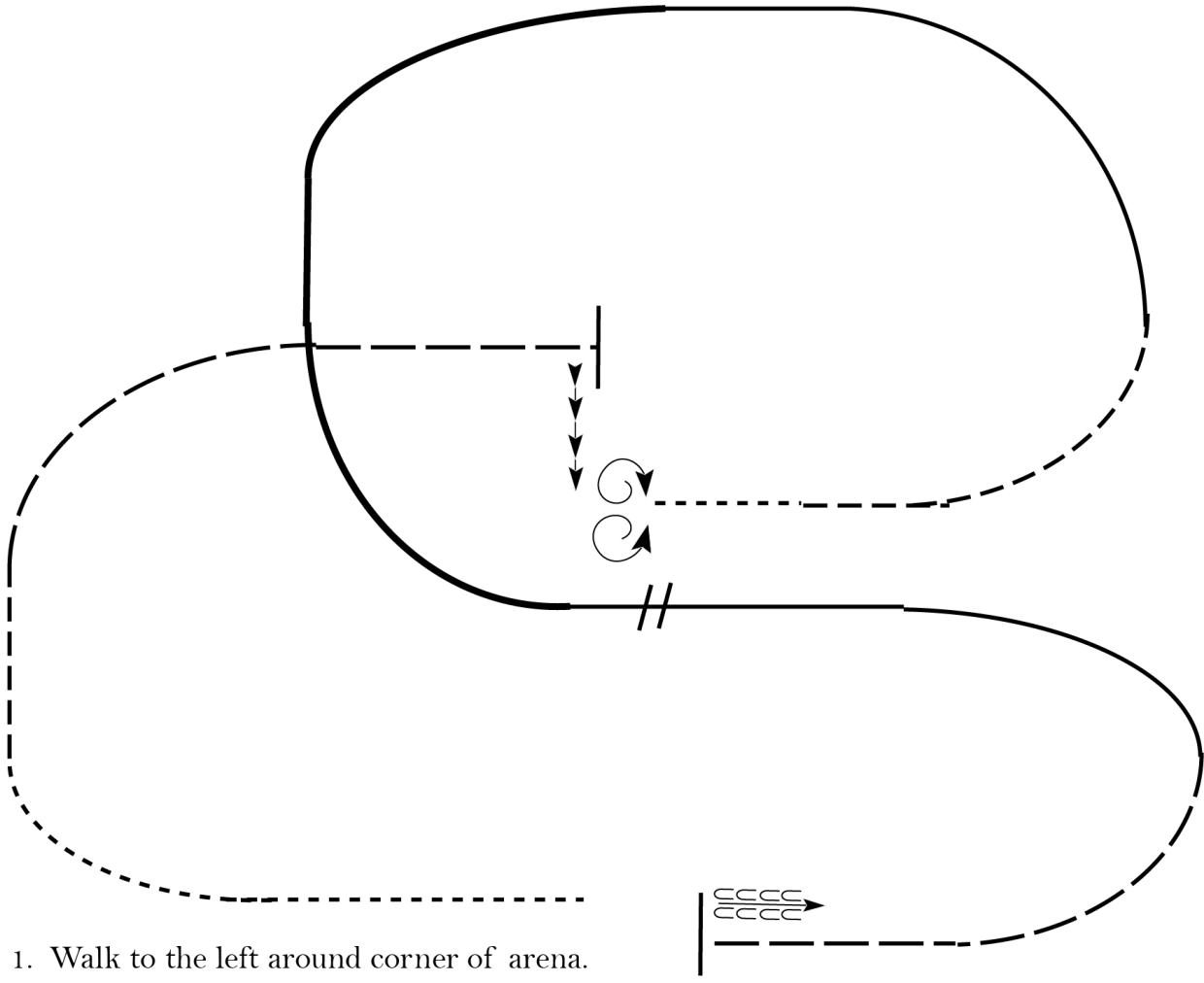
WES National Show 2019

Novice Rider Ranch Riding

Show Date: 23rd - 25th August 2019

www.HorseShowPatterns.com

www.HorseShowPatterns.com



1. Walk to the left around corner of arena.
2. Trot
3. Extend alongside of the arena and around the corner to center.
4. Stop, side pass right
5. 360 degree turn each direction (either way 1st)
6. Walk.
7. Trot.
8. Lope left lead
9. Extend the lope
10. Change leads (simple or flying)
11. Collect to the lope
12. Extend trot
13. Stop and back

Walk	-----
Jog	- - - - -
Extended Jog	- - - - -
Lope	—————
Lead Change	———/———
Back	←←←←←
Marker	ⓑ

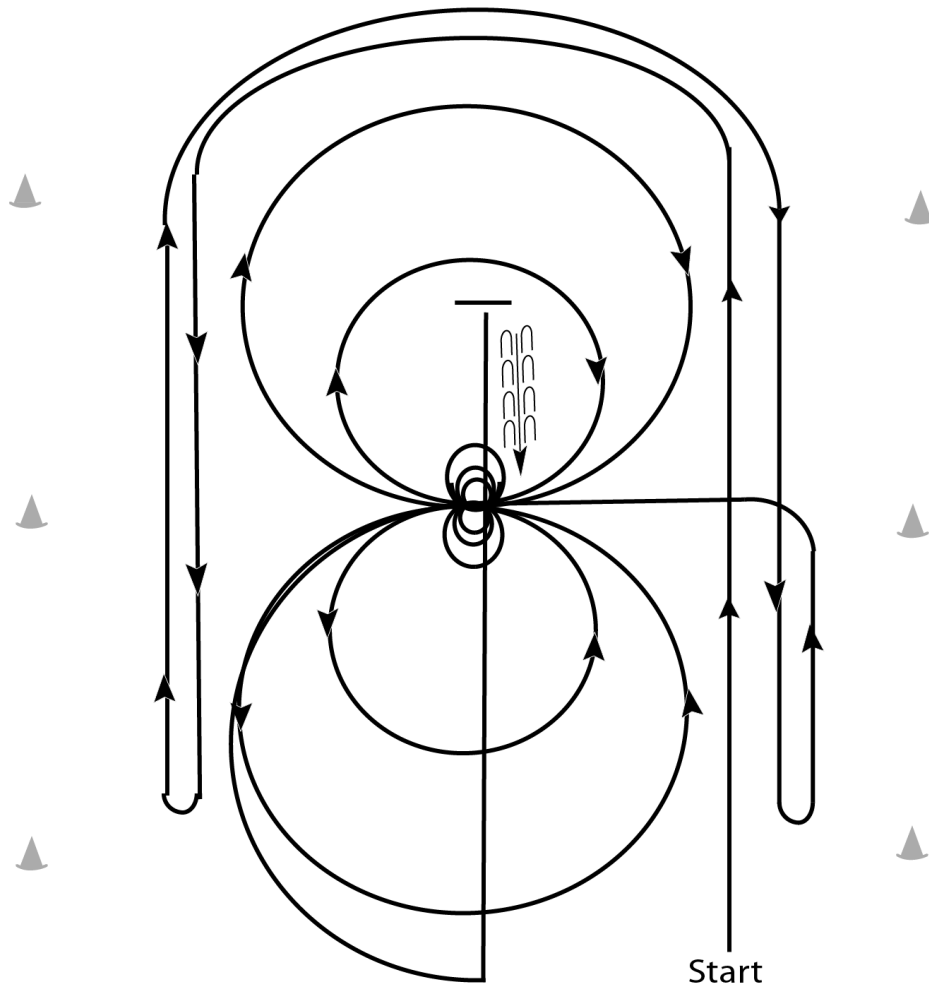
[RR/3]

Pattern Provided by:
Show management

WES National Show 2019

Novice Rider Reining

Show Date: 23rd - 25th August 2019



1. Beginning, lope straight up the right side of the arena, circle the top of the arena, run straight down the opposite or left side of the arena past the center mark and do a right rollback - no hesitation.
2. Continue straight up the left side of the arena circle back around the top of the arena run straight down the right side of the arena past the center marker and do a left rollback - no hesitation.
3. Continue up the right side of the arena to the center marker, at the center marker horse should be on the left lead and complete two circles to the left, one large fast and one small slow. Stop at center. Hesitate.
4. Complete three spins to the left. Hesitate.
5. Complete two circles to the right, one large fast and one small slow. Stop at center. Hesitate.
6. Complete three spins to the right. Hesitate.
7. Begin a large fast circle to the left, do not close this circle. Continue up the center of the arena past the center marker and do a sliding stop.
8. Back up at least ten feet. Hesitate to demonstrate completion of pattern.

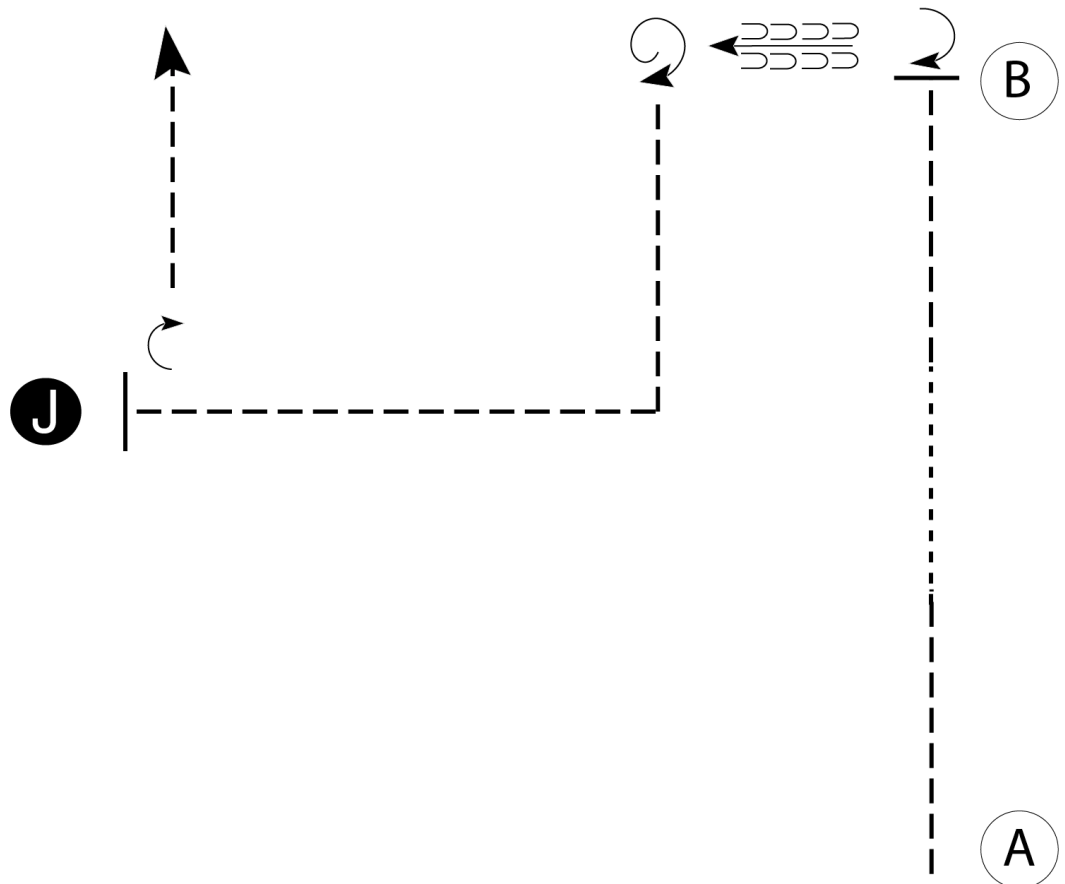
[R/NRHAP-13]

Pattern Provided by:
Show management

WES National Show 2019

Novice Rider Showmanship

Show Date: 23rd - 25th August 2019



Be ready at A.

1. Trot 1/3 of the line, then walk 1/3 of the line then trot the final 1/3 of the line.
2. Stop with horse's hip even with B then perform a 1/4 turn.
3. Back 2 horse lengths then perform a 1 1/4 turn.
4. Trot to judge as shown.
5. Stop and set up at Judge.
6. Inspection.
7. When dismissed, perform a 1/4 turn and trot to exit.

Walk -----
Trot - . - . - . - . - . - . - . - . - .
Back ←
Marker (B)
Judge (J)

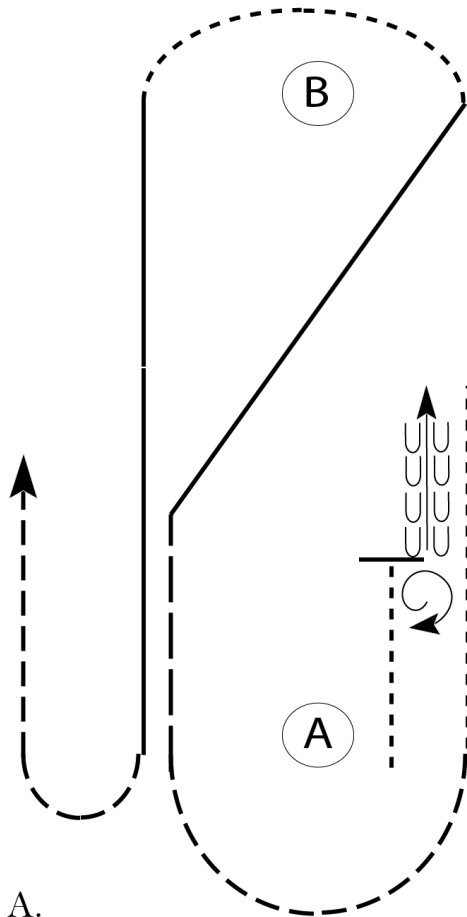
[S/2-119]

Pattern Provided by:
Show management

WES National Show 2019

Novice Rider Horsemanship

Show Date: 23rd - 25th August 2019



Be ready at A.

1. Walk approximately 2 horse lengths from A. Stop and perform a 1 1/2 turn right.
2. Back approximately one horse length then walk to A.
3. Jog around A then extend the jog in a straight line halfway to B.
4. Lope on the left lead on the diagonal to B. Break to the walk and walk around B.
5. Lope on the right lead to A.
6. Break to the jog when even with A and jog around to exit.

Walk	-----
Jog	- - - - -
Extended Jog	- - - - -
Lope	—————
Lead Change	↘
Back	←
Marker	ⓑ

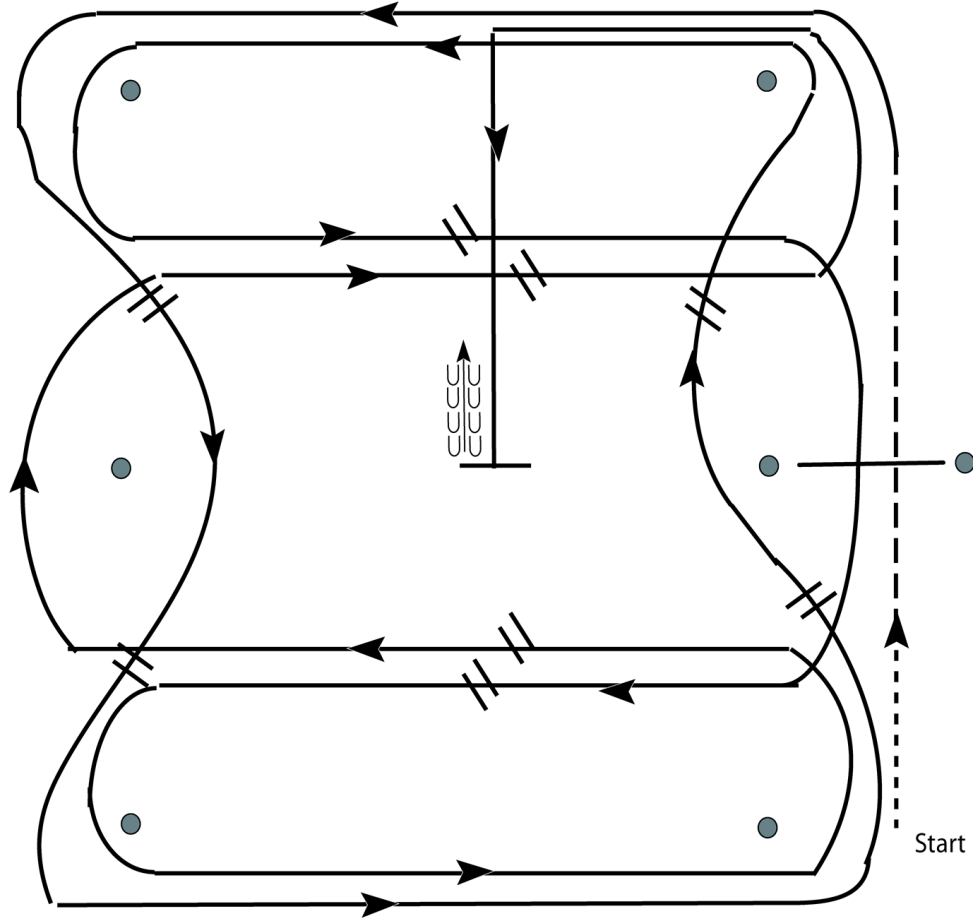
[WH/2-117]

Pattern Provided by:
Show management

WES National Show 2019

Novice Rider Western Riding

Show Date: 23rd - 25th August 2019

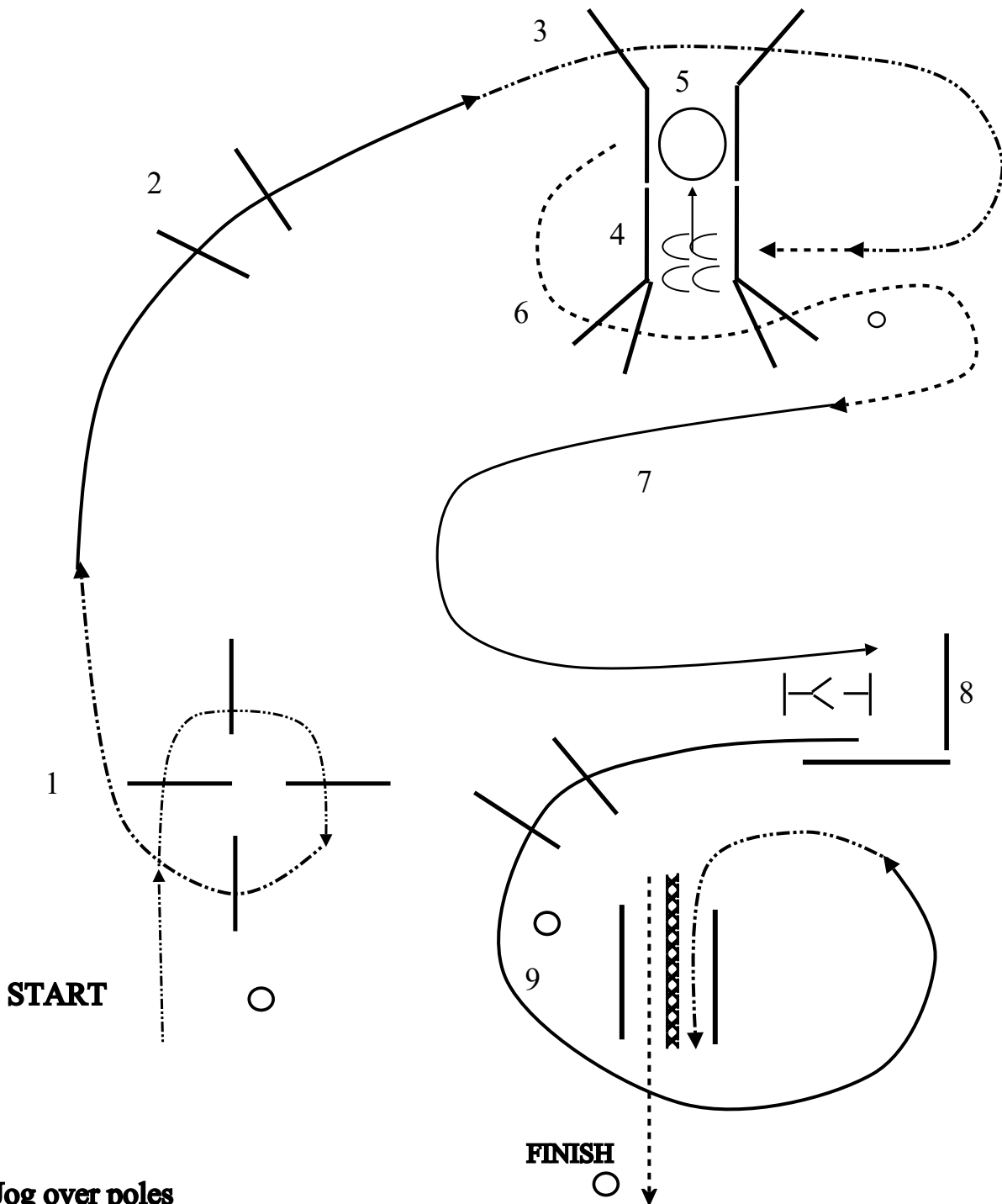


1. Walk, transition to jog, jog over log.
2. Transition to the lope, on the left lead.
3. First line change.
4. Second line change.
5. Third line change.
6. Fourth line change.
7. First crossing change.
8. Lope over the log.
9. Second crossing change.
10. Third crossing change.
11. Fourth crossing change.
12. Lope, stop and back.

[WR/OP-5]

Pattern Provided by:
Show management

WESTERN EQUESTRIAN SOCIETY
28th National Show 2019
TRAIL
NOVICE RIDER



1. Jog over poles
2. Lope right lead over poles then jog over poles and walk into box
3. Sidepass to the right
4. Turn either way 360*
5. Walk out and over poles
6. Lope left lead to gate
7. Work gate with right hand
8. Lope left lead over poles then jog into chute
9. Back up then walk out to finish

LOPE	—————
JOG	-----
WALK	-----
BACK UP	xxxxxxxxxxx
SIDEPASS	↔
RAISED POLE	⌒

Pattern by D Lloyd